

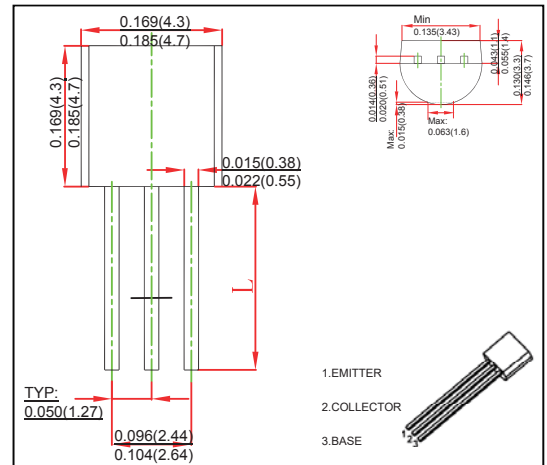
TO-92 Plastic-Encapsulate Transistors

FEATURES

- Low Frequency Power Amplifier
- Suitable for Driver Stage of Small Motor
- TRANSISTOR NPN

MECHANICAL DATA

- Case style: TO-92 molded plastic
- Mounting position: any



MAXIMUM RATINGS AND CHARACTERISTICS

@ 25°C Ambient Temperature (unless otherwise noted)

Parameter	Symbol	Value	Unit
Collector-Base Voltage	V_{CBO}	40	V
Collector-Emitter Voltage	V_{CEO}	25	V
Emitter-Base Voltage	V_{EBO}	5	V
Collector Current -Continuous	I_C	0.5	A
Collector Power Dissipation	P_C	0.625	W
Junction Temperature	T_J	150	°C
Storage Temperature	T_{stg}	-55 ~ +150	°C

Parameter	Symbol	Test Conditions	Min	Typ	Max	Unit
Collector-base breakdown voltage	$V_{(BR)CBO}$	$I_C = 100\mu A, I_E = 0$	40			V
Collector-emitter breakdown voltage	$V_{(BR)CEO}$	$I_C = 0.1mA, I_E = 0$	25			V
Emitter-base breakdown voltage	$V_{(BR)EBO}$	$I_E = 100\mu A, I_C = 0$	5			V
Collector cut-off current	I_{CBO}	$V_{CB} = 40V, I_E = 0$			0.1	μA
Collector cut-off current	I_{CEO}	$V_{CE} = 20V, I_B = 0$			0.1	μA
Emitter cut-off current	I_{EBO}	$V_{EB} = 5V, I_C = 0$			0.1	μA
DC current gain	$h_{FE(1)}$	$V_{CE} = 1V, I_C = 50mA$	85		400	
	$h_{FE(2)}$	$V_{CE} = 1V, I_C = 500mA$	50			
Collector-emitter saturation voltage	$V_{CE(sat)}$	$I_C = 500mA, I_B = 50mA$			0.6	V
Base-emitter saturation voltage	$V_{BE(sat)}$	$I_C = 500mA, I_B = 50mA$			1.2	V
Transition frequency	f_T	$V_{CE} = 6V, I_C = 20mA, f = 30MHz$	150			MHz

RATINGS AND CHARACTERISTIC CURVES

Static Characteristic

