

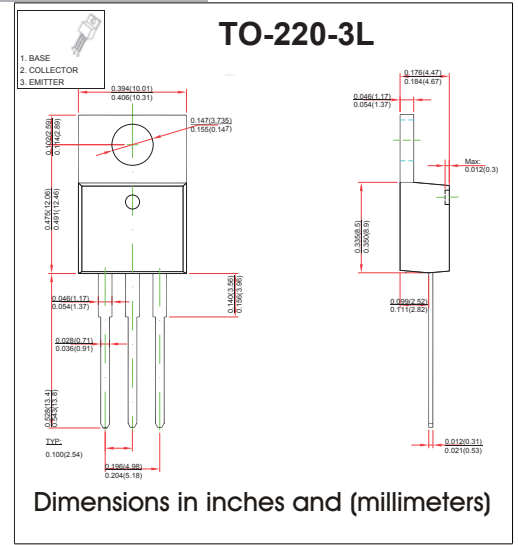
TO-220-3L Plastic-Encapsulate Transistors

FEATURES

- Medium Power Complementary Silicon Transistors
- Darlington Transistor (NPN)

MECHANICAL DATA

- Case style:TO-220-3L molded plastic
- Mounting position:any



MAXIMUM RATINGS AND CHARACTERISTICS

@ 25°C Ambient Temperature (unless otherwise noted)

Symbol	Parameter	TIP122	Unit
V_{CBO}	Collector-Base Voltage	100	V
V_{CEO}	Collector-Emitter Voltage	100	V
V_{EBO}	Emitter-Base Voltage	5	V
I_C	Collector Current -Continuous	5	A
P_C *	Collector Power Dissipation	1.25	W
$R_{\theta JA}$	Thermal Resistance Junction to Ambient	100	°C/W
$R_{\theta JC}$	Thermal Resistance Junction to Case	8.33	°C/W
T_J	Junction Temperature	150	°C
T_{stg}	Storage Temperature	-55~+150	°C

ELECTRICAL CHARACTERISTICS $T_a=25$ °C unless otherwise specified

Parameter	Symbol	Test conditions	Min	Max	Unit
Collector-base breakdown voltage	$V_{(BR)CBO}$	$I_C=1mA, I_E=0$	100		V
Collector-emitter breakdown voltage	$V_{CEO(SUS)}$	$I_C=30mA, I_B=0$	100		V
Collector cut-off current	I_{CBO}	$V_{CB}=100V, I_E=0$		0.2	mA
Collector cut-off current	I_{CEO}	$V_{CE}=50V, I_B=0$		0.5	mA
Emitter cut-off current	I_{EBO}	$V_{EB}=5V, I_C=0$		2	mA
DC current gain	$h_{FE(1)}$	$V_{CE}=3V, I_C=0.5A$	1000		
	$h_{FE(2)}$	$V_{CE}=3V, I_C=3A$	1000		
Collector-emitter saturation voltage	$V_{CE(sat)}$	$I_C=3A, I_B=12mA$		2	V
		$I_C=5A, I_B=20mA$		4	
Base-emitter voltage	V_{BE}	$V_{CE}=3V, I_C=3A$		2.5	V
Output Capacitance	C_{ob}	$V_{CB}=10V, I_E=0, f=0.1MHz$		200	pF

RATINGS AND CHARACTERISTIC CURVES

