

SCHOTTKY BARRIER DIODE

VOLTAGE RANGE: 50V PEAK PULSE POWER:400mW

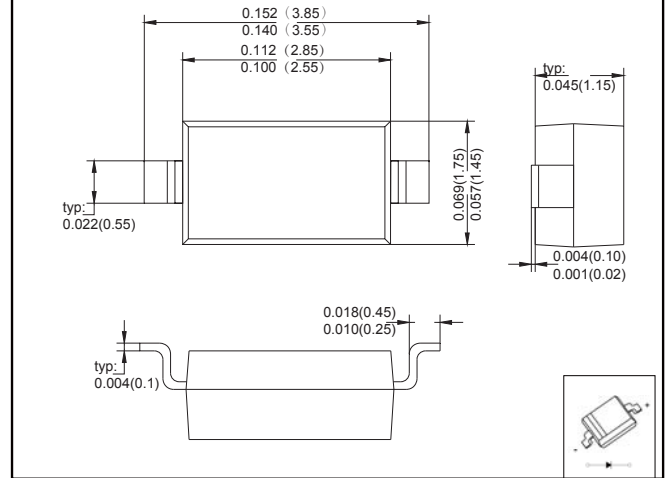
FEATURES

- Low Forward Voltage Drop
- Guard Ring Construction for Transient
- Protection Negligible Reverse Recovery Time
- Low Capacitance
- Ultra-small Surface Mount Package

MECHANICAL DATA

- Case: SOD-123 Small Outline Plastic Package
- Polarity: Color band denotes cathode end
- Mounting Position: Any

SOD-123



MAXIMUM RATINGS AND CHARACTERISTICS

Ratings at 25 C ambient temperature unless otherwise specified

Symbol	Parameter	Value	Unit
VRRM	Peak Repetitive Reverse Voltage	50	V
VRWM	Working Peak Reverse Voltage		
VR	DC Blocking Voltage		
VR(RMS)	RMS Reverse Voltage	35	V
IFM	Forward Continuous Current	15	mA
IFSM	Non-repetitive Peak Forward Surge Current @t=8.3ms	2	A
PD	Power Dissipation	400	mW
RθJA	Thermal Resistance from Junction to Ambient	250	°C/W
Tj	Junction Temperature	125	°C
Tstg	Storage Temperature	-55~+150	°C

Electrical Specification (TA=25@25°C unless otherwise specified)

Parameter	Symbol	Test conditions	Min	Typ	Max	Unit
Reverse voltage	V(BR)	IR=10μA	50			V
Reverse current	IR	VR=40V			0.2	μA
Forward voltage	VF	IF=1mA			0.40	V
		IF=15mA			0.95	
Total capacitance	Ctot	VR=0V, f=1MHz			2.1	pF
Reverse recovery time	trr	IF= IR=5mA, Irr=0.1×IR, RL=100Ω			1	ns

MARKING: S2

RATINGS AND CHARACTERISTIC CURVES

