

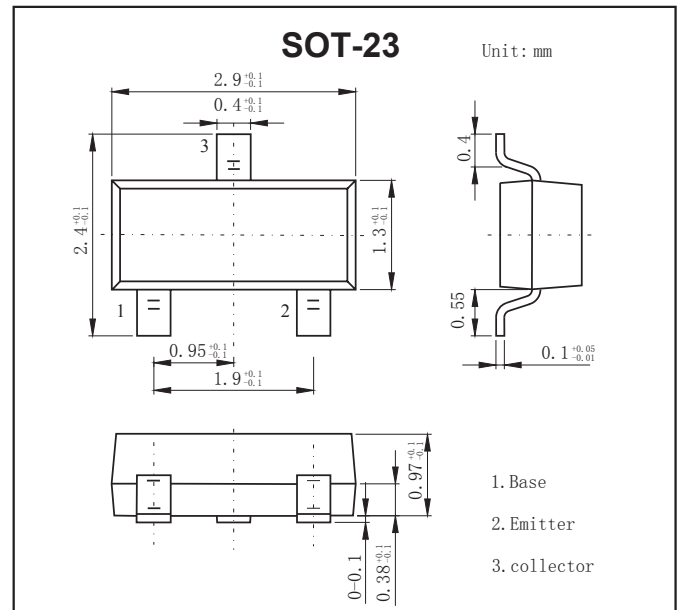
## SOT-23 Plastic-Encapsulate Transistors

### FEATURES

- PNP TRANSISTORS
- Collector-Base Voltage: VCBO=-60V

### MECHANICAL DATA

- Case style:SOT-23 molded plastic
- Mounting position:any



### MAXIMUM RATINGS AND CHARACTERISTICS

@ 25°C Ambient Temperature (unless otherwise noted)

Parameter	Symbol	Rating	Unit
Collector to base voltage	VCBO	-60	V
Collector to emitter voltage	VCEO	-50	V
Emitter to base voltage	VEBO	-5.0	V
Collector Current (DC)	Ic	-150	mA
Power dissipation	Pc	200	mW
Junction temperature	Tj	150	°C
Storage temperature	Tstg	-55 to +150	°C

#### PACKAGE INFORMATION

Device	Package	Shipping
2SA733	SOT-23	3000/Tape&Reel

Parameter	Symbol	Test conditions	Min	Typ	Max	Unit
Collector-base breakdown voltage	VCBO	Ic= -50uA, IE=0	-60			V
Collector-emitter breakdown voltage	VCEO	Ic= -1mA, IB=0	-50			V
Emitter-base breakdown voltage	VEBO	IE= -50uA, Ic=0	-5			V
Collector cut-off current	ICBO	VCB= -60 V, IE=0			-0.1	uA
Emitter cut-off current	IEBO	VEB= -5 V, Ic=0			-0.1	uA
DC current gain	hFE	VCE= -6 V, Ic=-1mA	120		475	
Collector-emitter saturation voltage	VCE(sat)	Ic= -100mA, IB=- 10mA		-0.18	-0.3	V
Base-emitter voltage	VBE(on)	VCE=-6V, Ic=-1.0mA	-0.58	-0.62	-0.68	V
Collector output capacitance	Cob	VCB=-10V, IE=0, f=1MHZ		4.5	7	pF
Noise figure	NF	VCE=-6V, Ic=-0.3mA, Rg=10kΩ, f=100HZ		6	20	dB
Transition frequency	fr	VCE=-6V, Ic=-10mA	50			MHz

#### Classification of hfe

Type	2SA733-M6	2SA733-L	2SA733-H
Range	200-400	120-220	220-475
Marking	M6	CSL	CS

# RATINGS AND CHARACTERISTIC CURVES

## ■ Typical Characteristics

