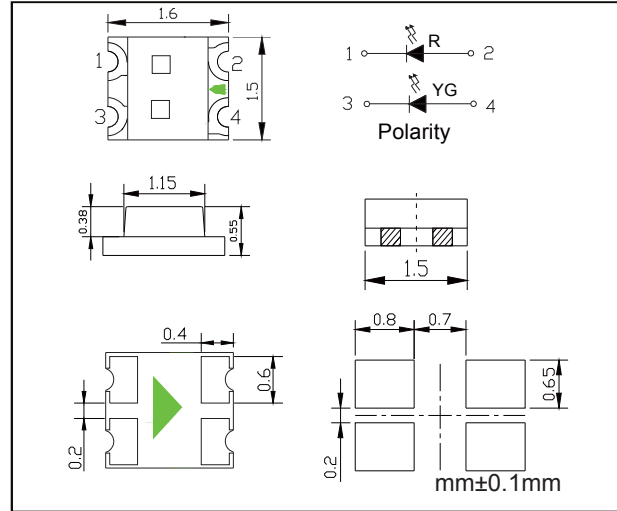


Light Emitting Diode

Features

- Package (L/W/H) : 1.6 × 1.5 × 0.55 mm
- Color : Ultra Bright Red/ Yellow Green Bi-Color
- Lens: Water Clear Flat Mold
- EIA STD Package
- Meet ROHS, Green Product
- Compatible With SMT Automatic Equipment.
- Compatible With Infrared Reflow Solder And Wave Solder Process.



MAXIMUM RATINGS AND CHARACTERISTICS

@ 25°C Ambient Temperature (unless otherwise noted)

Parameter	Symbol	Rating		Unit
		R	YG	
Power Dissipation	Pd	60	60	mW
Peak Forward Current (1/10 Duty Cycle, 0.1ms Pulse Width)	IFP	50	50	mA
DC Forward Current	IF	25	25	mA
Reverse Voltage	VR	5	5	V
Operating Temperature Range	Topr	-30°C ~ +85°C		
Storage Temperature Range	Tstg	-40°C ~ +90°C		
Soldering Condition	Tsol	Reflow soldering : 255°C For 5 Seconds Hand soldering: 300°C For 3 Seconds		

Electrical Specification (TA=25°C unless otherwise specified)

Parameter	Symbol	Color	Min.	Typ.	Max.	Unit	Test Condition
Luminous Intensity	IV	R	80	---	130	mcd	IF = 20mA
		YG	30	---	55		
Dominant Wavelength	λd	R	620	---	630	nm	IF=20mA
		YG	568	---	578		
Peak Wavelength	λp	R	---	630	---	nm	IF=20mA
		YG	---	570	---		
Spectral Line Half-Width	Δλ	R	---	20	---	nm	IF=20mA
		YG	---	15	---		
Forward Voltage	VF	R	1.8	---	2.4	V	IF=20mA
		YG	1.8	---	2.4		
Reverse Current	IR	R	---	---	10	uA	VR=5V
		YG	---	---	10		
Viewing Angle	2θ1/2	---	---	120	---	deg	IF = 20mA

- Notes: 1. Luminous intensity is measured with a light sensor and filter combination that approximates the CIE eye-response curve.
 2. θ1/2 is the off-axis angle at which the luminous intensity is half the axial luminous intensity.
 3. The dominant wavelength, λd is derived from the CIE chromaticity diagram and represents the single wavelength which defines the color of the device.

RATINGS AND CHARACTERISTIC CURVES

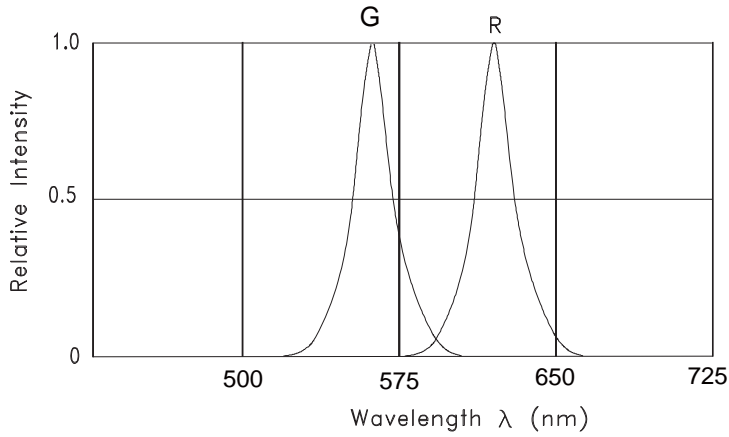


Fig.1 RELATIVE INTENSITY VS. WAVELENGTH

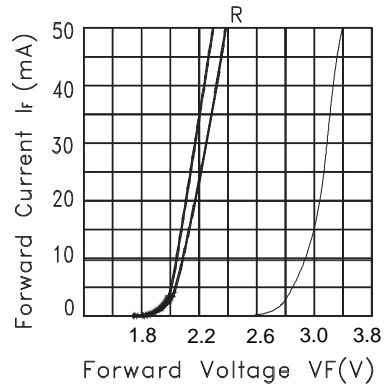


Fig.2 FORWARD CURRENT VS. FORWARD VOLTAGE

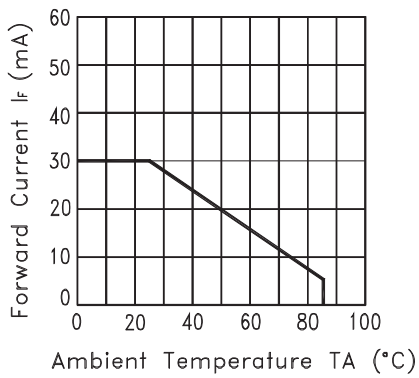


Fig.3 FORWARD CURRENT DERATING CURVE

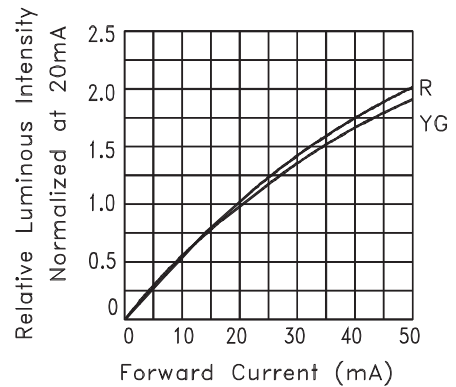


Fig.4 RELATIVE LUMINOUS INTENSITY VS. FORWARD CURRENT

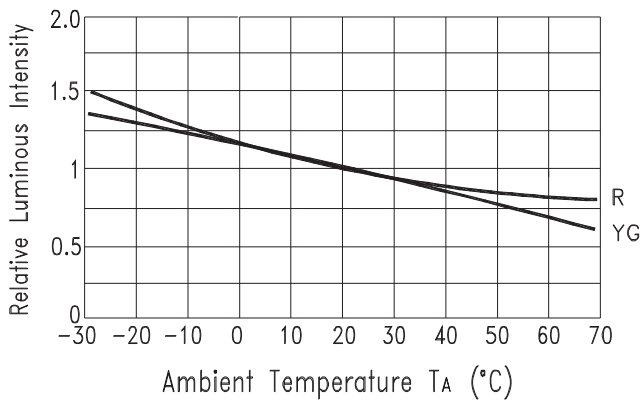


Fig.5 Luminous Intensity vs. Ambient Temperature

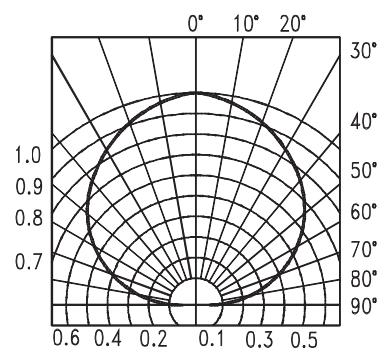


Fig.6 SPATIAL DISTRIBUTION