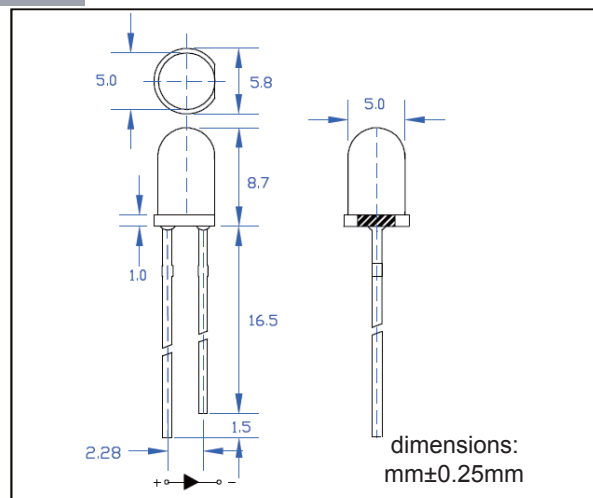


## Light Emitting Diode

### Product Characteristics:

- Ultra Bright Brightness
- 5mm Diameter Circular Shape Package
- General Purpose Lead
- Highly Reliable
- Emitting Color: Green



## MAXIMUM RATINGS AND CHARACTERISTICS

@ 25°C Ambient Temperature (unless otherwise noted)

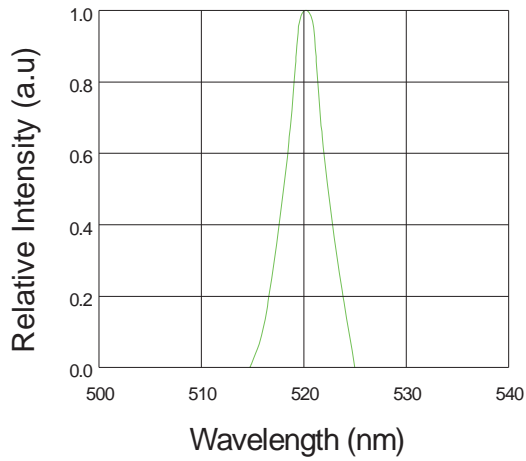
Parameter	MAX	Unit
Power Dissipation	70	mW
Continuous Forward Current	20	mA
Reverse Voltage	5	V
Operating Temperature Range	-30°C To +85°C	
Storage Temperature Range	-40°C To +100°C	
Lead Soldering Temperature (4mm(0.157")From Body)	260°C for 3 seconds	

## Electrical Specification (T<sub>A</sub>=25°C unless otherwise specified)

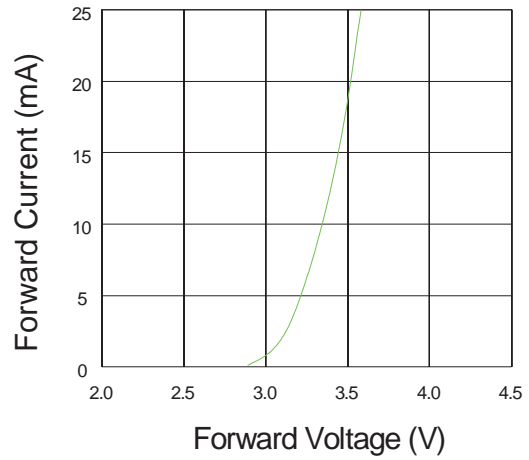
Parameter	Symbol	Min	Typ	Max.	Unit	Test Condition
Luminous Intensity	I <sub>v</sub>	15000	-----	25000	mcd	IF=20mA
Viewing Angle	2θ <sub>1/2</sub>	-----	30	-----	Deg	IF=20mA
Peak Wavelength	λ <sub>p</sub>	515	-----	525	nm	IF=20mA
Forward Voltage	V <sub>F</sub>	3.0	-----	3.6	V	IF=20mA
Reverse Current	I <sub>R</sub>	-----	-----	5	μA	VR=5V

# RATINGS AND CHARACTERISTIC CURVES

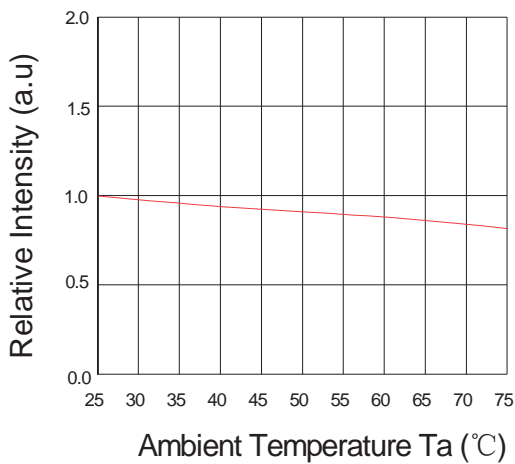
Relative Intensity VS. Wavelength



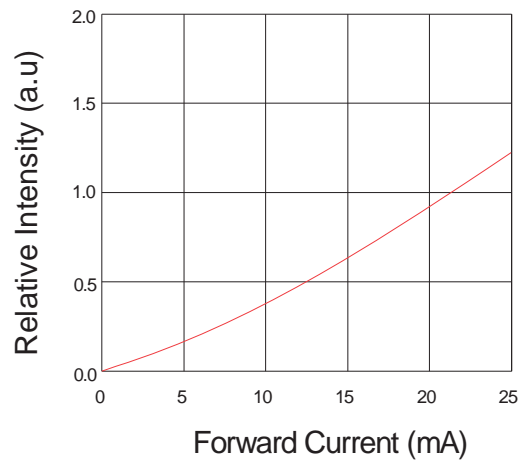
Forward Current VS. Forward Voltage



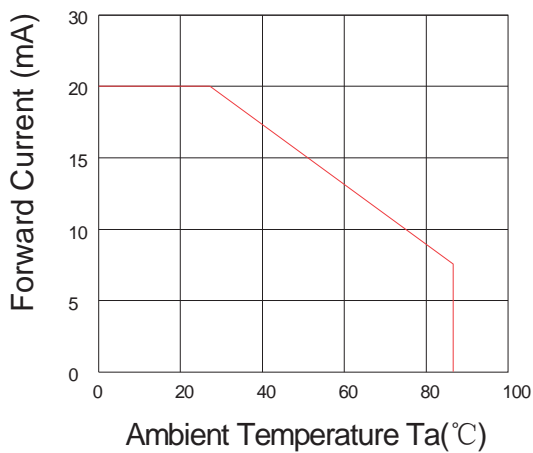
Relative Intensity VS. Ambient Temp



Forward Current VS. Relative Intensity



Forward Current VS. Ambient Temp.



Radiation Characteristics

