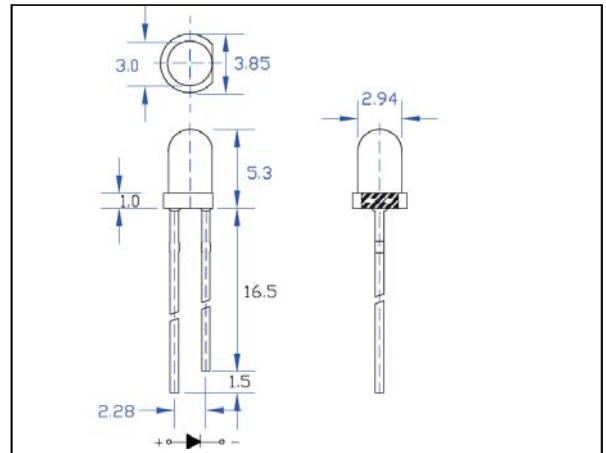


Light Emitting Diode

Product Characteristics:

- Ultra Bright Brightness
- 3mm Diameter Circular Shape
- Package General Purpose Lead
- Highly Reliable
- Emitting Color : Green



MAXIMUM RATINGS AND CHARACTERISTICS

@ 25°C Ambient Temperature (unless otherwise noted)

Parameter	MAX	Unit
Power Dissipation	70	mW
Continuous Forward Current	20	mA
Reverse Voltage	5	V
Operating Temperature Range	-30°C To +85°C	
Storage Temperature Range	-40°C To +100°C	
Lead Soldering Temperature (4mm(0.157")From Body)	260°C for 3 seconds	

Electrical Specification (TA=25°C unless otherwise specified)

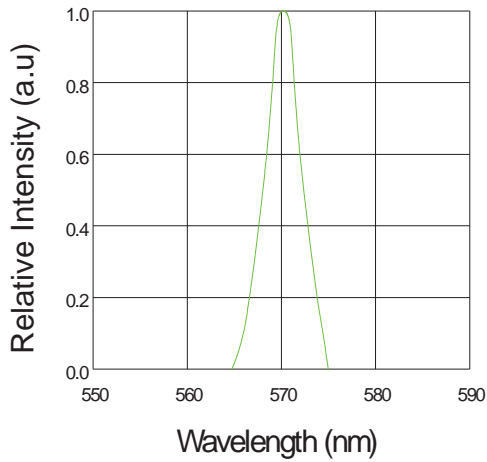
Parameter	Symbol	Min	Typ	Max.	Unit	Test Condition
Luminous Intensity	I _v	50	-----	80	mcd	I _F =20mA
Viewing Angle	2θ _{1/2}	-----	30	-----	Deg	I _F =20mA
Peak Wavelength	λ _p	565	-----	575	nm	I _F =20mA
Forward Voltage	V _F	1.9	-----	2.4	V	I _F =20mA
Reverse Current	I _R	-----	-----	5	μA	V _R =5V

Notes:

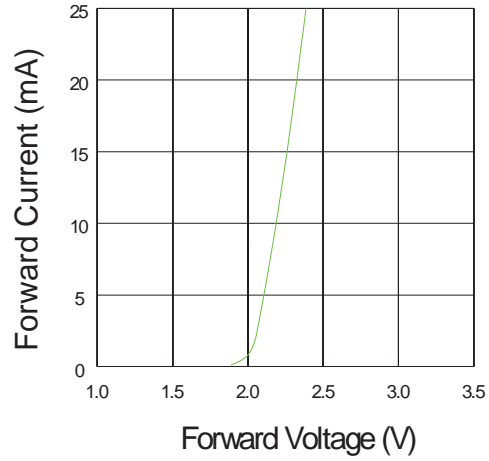
1. Luminous intensity is measured with a light sensor and filter combination that approximates the CIE eye-response curve.
2. 2θ_{1/2} is the off-axis angle at which the luminous intensity is half the axial luminous intensity

RATINGS AND CHARACTERISTIC CURVES

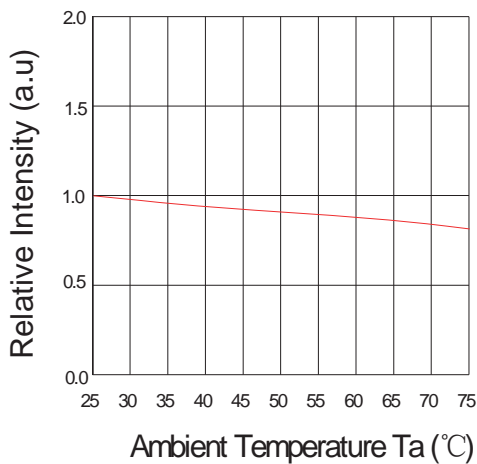
Relative Intensity VS. Wavelength



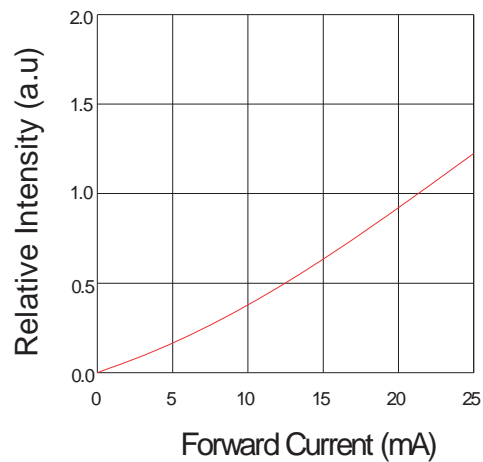
Forward Current VS. Forward Voltage



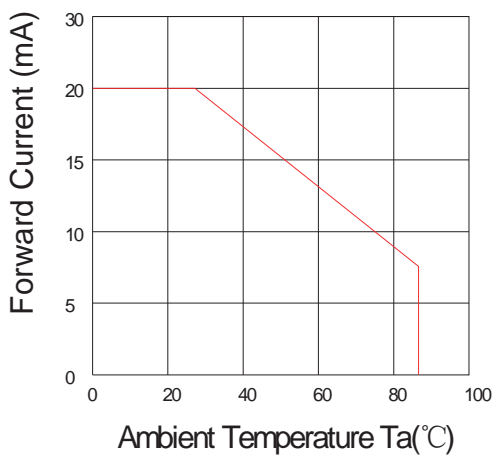
Relative Intensity VS. Ambient Temp



Forward Current VS. Relative Intensity



Forward Current VS. Ambient Temp.



Radiation Characteristics

